







0606 Diffused

PRODUCT INFORMATION:

Available with a diffused lens option and 400 effective lumens, the 0606 LED work light is a flexible solution. When you are looking for a small compact work light for applications such as engine compartments, ATV's, speedboats or small compact machinery, the TYRI 0606 is the smart choice. TYRI's diffused lenses provide a wide beam of light in a focused area. This pattern is ideal in restricted area's where you are working closely to the work light or where a long reach is not needed.



-  EMC TESTED
-  IP69K
-  VIBRATION TESTED
-  SALT SPRAY TESTED

Operating Temp: -40° to 75°C

Light Pattern: Diffused

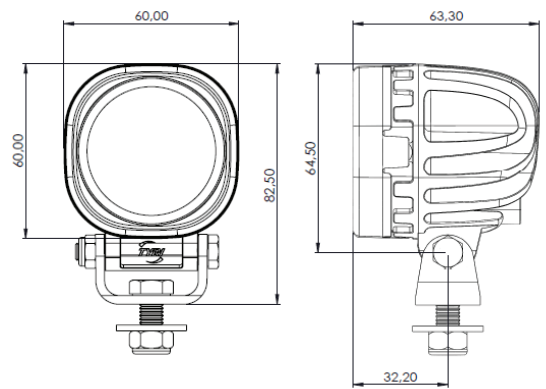
Lens Material: Plastic

Housing: Cast Aluminium

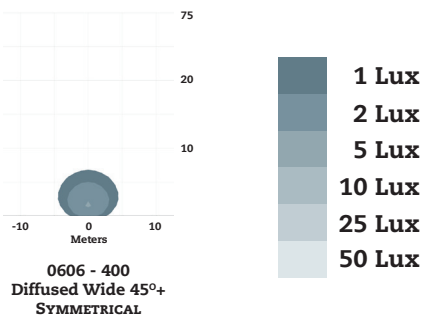
Mounting Options: Hanging, Standing, Side

Connector: (DT04-2P) Built in

Weight: 280 g / 0,62 lb



LIGHT BEAM PATTERNS:



LUMEN OUTPUT		Number of LED's	VOLTAGE			AMP DRAW		Power (Watts)	Colour Temp	CRI	EMC EN55025/ CISPR25 Class	IP69K	Vibration 5-2000hZ 3 Axis	Salt Spray ASTMB117	UL Rated Optional
Theoretical	Effective		Machine	Operating Range	12 Volts	24 Volts									
1000	400	1	12-48	9 60	1.2	0.6	13	5700	70	4	●	8 Grms	●		