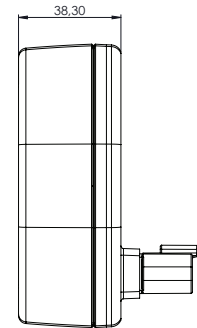
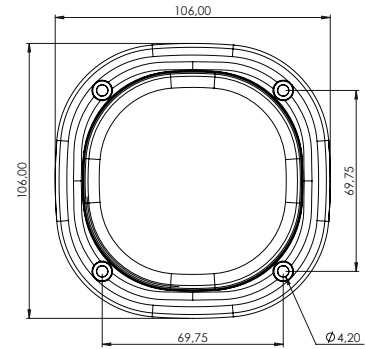





1010 Flush

PRODUCT INFORMATION:

Where the requirement is to have the light flush to the vehicle, and where there is limited space for air flow, the 1010 Flush mounted light offers a unique solution. Without the need for a recess hole, this light fastens to the surface of the vehicle providing a sleek and clean solution. It uses the metal of the machine to create a cooling effect to help keep the light at an effective temperature.



-  EMC TESTED
-  IP 69K
-  VIBRATION TESTED
-  SALT SPRAY TESTED
-  UL RATED OPTIONAL

Operating Temp: -40 to 75° C
 Light Pattern: Symmetric, Asymmetric, High, Spot, Fog
 Lens Material: Plastic, Glass
 Housing: Cast Aluminium
 Mounting Options: Flush
 Connector: Deutsch (DT04-2P) built in

| LUMEN OUTPUT | | Number of LED'S | VOLTAGE | | AMP DRAW | | Power (Watts) | Colour Temp | CRI | COMPLIANCE / RATING | | | | | |
|--------------|-----------|-----------------|---------|-----------------|----------|----------|---------------|-------------|------|-----------------------|-------|---------------------------|----------------------|-------------------|---|
| Theoretical | Effective | | Machine | Operating Range | 12 Volts | 24 Volts | | | | EMC EN55025 / CISPR25 | IP69K | Vibration 5-2000Hz 3 Axis | Salt Spray ASTM B117 | UL Rated Optional | |
| 900 | 700 | 4 | 12-48 | 9 | 60 | 1.4 | 0.7 | 17 | 5700 | 70 | 5 | • | 10 Grms | • | • |
| 1800 | 1400 | 6 | 12 | 9 | 16 | 1.8 | | 22 | 5700 | 70 | 5 | • | 10 Grms | • | • |
| 1800 | 1400 | 6 | 24 | 18 | 32 | | 0.9 | 22 | 5700 | 70 | 5 | • | 10 Grms | • | • |
| 1800 | 1450 | 8 | 12-48 | 9 | 60 | 2.5 | 1.3 | 30 | 5700 | 70 | 5 | • | 10 Grms | • | • |
| 2250 | 1850 | 6 | 12 | 9 | 16 | 2.3 | | 29 | 5700 | 70 | 5 | • | 10 Grms | • | • |
| 2250 | 1850 | 6 | 24 | 18 | 32 | | 1.2 | 29 | 5700 | 70 | 5 | • | 10 Grms | • | • |
| 3000 | 2500 | 4 | 12-48 | 9 | 60 | 2.8 | 1.4 | 34 | 5700 | 70 | 4 | • | 10 Grms | • | • |