





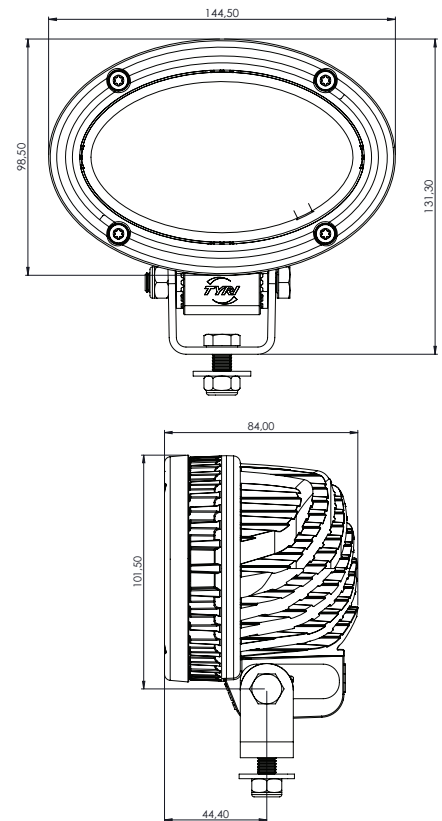
## PRODUCT INFORMATION:

Designed in an oval shape and available with wide symmetrical and asymmetrical lens pattern options, the 1015 LED is the perfect solution for lighting broad work areas. This work light is ideal to replace many of the oval Halogen and HID work lights used on tractors, smaller construction equipment and material handling equipment.



-  EMC TESTED
-  IP 69K
-  VIBRATION TESTED
-  SALT SPRAY TESTED

Operating Temp: -40° to 75°C  
 Light Pattern: Symmetric, Asymmetric, High  
 Lens Material: Plastic  
 Housing: Cast Aluminium  
 Dampened  
 Mounting Options: Hanging, Standing  
 Connector: Deutsch (DT04-2P) built in



LUMEN OUTPUT		Number of LED'S	VOLTAGE		AMP DRAW		Power (Watts)	Colour Temp	CRI	COMPLIANCE / RATING				
Theoretical	Effective		Machine	Operating Range	12 Volts	24 Volts				EMC EN55025 / CISPR25	IP69K	Vibration 5-2000Hz 3 Axis	Salt Spray ASTMB117	Shock Tested
1550	1100	8	12-48	9   60	2.4	1.1	29	5700	70	5	•	10 Grms	•	•
1800	1450	8	12-48	9   60	1.8	0.9	22	5700	70	5	•	10 Grms	•	•
3500	2250	10	12-48	9   60	3.5	1.8	42	6000	72	5	•	10 Grms	•	•
3000 <sup>(1)</sup>	2500	4	12-48	9   60	2.2	1.1	26	5700	70	5	•	10 Grms	•	•

<sup>(1)</sup> Product may not be available in all territories; please check with your local TYRI office