

PRODUCT INFORMATION:

The 1323 LED is an extremely powerful and bright lighting option, delivering a massive 13,500 effective lumen output with a mere 6.2 amp draw. The curved design and mounting options of 60 degree trunion mount ensure this work light is suitable for multiple applications and installation choices.



- EMC TESTED
- IP 69K
- VIBRATION TESTED
- SALT SPRAY TESTED

Operating Temp: -40° to 85°C

Light Pattern: Medium

Symmetric, Wide Symmetric

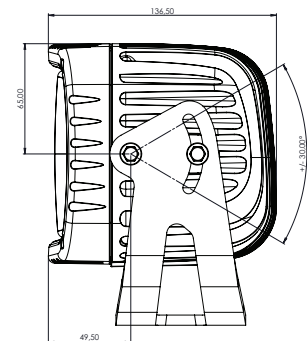
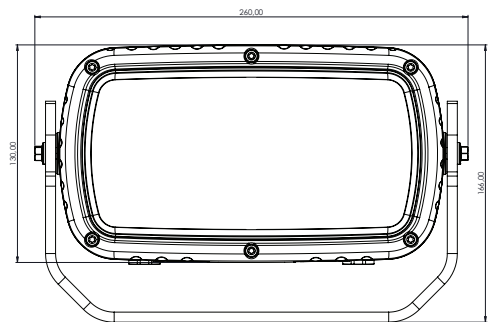
Lens Material: Plastic

Housing: Cast Aluminium

60° Trunion

Mounting Options: Hanging, Standing

Connector: Deutsch (DT04-2P) built in, 2 m DT cable



LUMEN OUTPUT		Number of LED'S	VOLTAGE			AMP DRAW	Power (Watts)	Colour Temp	CRI	COMPLIANCE / RATING			
Theoretical	Effective		Machine	Operating Range		24 Volts				EMC EN55025 / CISPR25	IP69K	Vibration 5-2000Hz 3 Axis	Salt Spray ASTMB117
16500	13500	12	24	18	32	6.2	150	4000	70	4	•	8 Grms	•*

* pending