

PRODUCT INFORMATION:

The 1013 LED work light has been developed as an alternative to the 1015 LED. This work light is ideal as a cost effective upgrade solution for agriculture when looking to replace Halogen or HID/Xenon lighting.



EMC EMC TESTED *

IP IP 69K *

VIBRATION VIBRATION TESTED

SALT SPRAY SALT SPRAY TESTED *

UL UL RATED OPTIONAL *

Operating Temp: -40° to 75°C

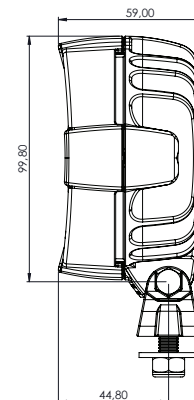
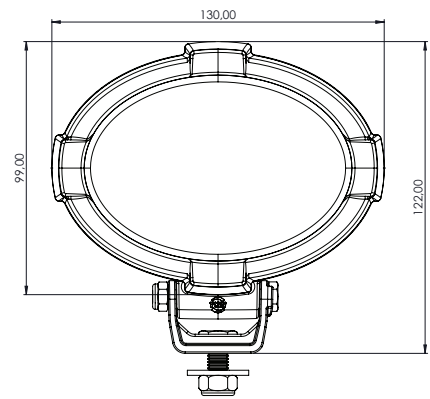
Light Pattern: Symmetric, Asymmetric, Spot

Lens Material: Plastic

Housing: Cast Aluminium

Mounting Options: Hanging, Standing, Side

Connector: Deutsch (DT04-2P) built in



* Pending

LUMEN OUTPUT		Number of LED'S	VOLTAGE		AMP DRAW		Power (Watts)	Colour Temp	CRI	COMPLIANCE / RATING					
Theoretical	Effective		Machine	Operating Range	12 Volts	24 Volts				EMC EN55025 / CISPR25	IP69K	Vibration 5-2000Hz 3 Axis	Salt Spray ASTM B117	UL Rated Optional	Shock Tested
900	750	4	12-48	9 60	0.9	0.5	14	5700	70	**	**	10 Grms	**	**	**
900	750	4	12-80	9 108	0.9	0.5	14	5700	70	**	**	10 Grms	**	**	**
1800	1400	4	12-24	9 32	TBC	TBC	TBC	5700	70	**	**	10 Grms*	**	**	**

* pending Product may not be available in all territories; please check with your local TYRI office