



# V12 LIGHT BAR

Designed for the off road / 4x4 enthusiast, TYRI's modular light bar has a slim design and replaceable lens, making it ideal for the off road environment. This light can be bracket or surface mounted and the end pieces are removable for maximum flexibility in mounting options.

Providing 4300 effective lumen light output, this stylish and powerful unit will light your way to adventure.



## SUGGESTED APPLICATIONS

This Modular Lightbar is highly adaptable and can be used across numerous applications worldwide, including:



OFF ROAD



ATV



CONSTRUCTION



MINING



AGRICULTURE

## TECHNICAL DATA

- Housing Material:** Cast Aluminum
- Mounting Options:** Surface, Flush, Bracket
- Lens Material:** Polycarbonate
- Temperature range:** -40 to +85 °C
- Connector:** Deutsch (DT04-2P) built in
- Weight:** 1.7 kg
- Light Patterns:** Long Range (Narrow Symmetric)



Overheating Protection



Over-voltage Protection



Polarity Protection

## TEST STANDARDS



Salt Spray ASTM B117 500 h



Vibration 5-2000 Hz 3 Axis, 8 Grms



Shock Tested 50 G 11 ms



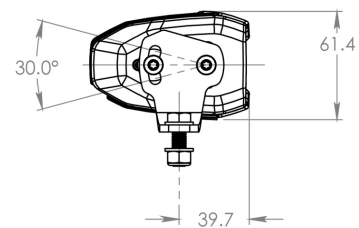
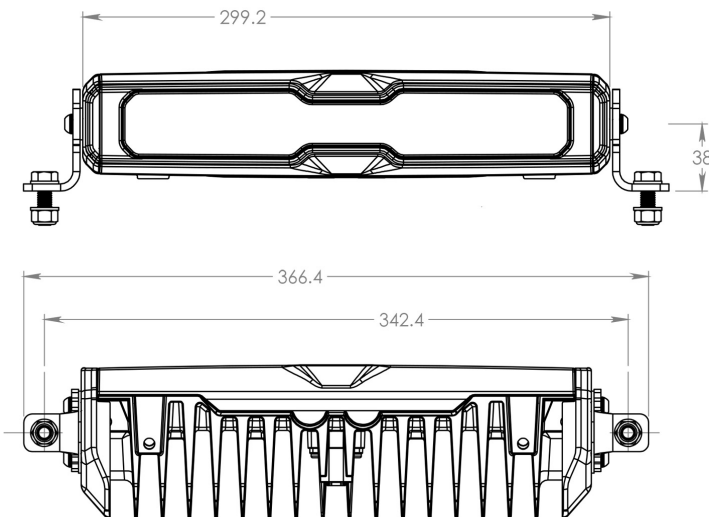
TBC



EN55025 / CISPR 25 Class 5

Consult [www.tyrilights.com](http://www.tyrilights.com) for additional lens & mounting options

TYRI's testing standards can be found at: [www.tyrilights.com](http://www.tyrilights.com)



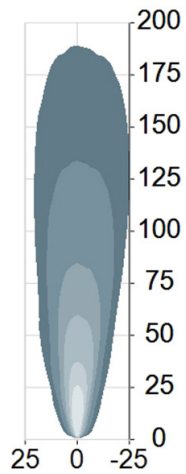


# V12 LIGHT BAR

LIGHT OUTPUT	VOLTAGE		AMP DRAW		POWER	COLOR TEMPERATURE	EMC
	Machine	Operating Range	12 V	24 V			
Effective Lumen					Watts	K	EN55025 / CISPR25
4300 lm	12 V	9-16 V	5.8 A		70 W	5700	5
4300 lm	24 V	18-32 V		TBC	TBC	5700	TBC

## TYPICAL LIGHT PATTERNS

Example for V12 /4300 effective lumen | For further light patterns visit [www.tyрилights.com](http://www.tyрилights.com)



### V 12 / 4300 lm

Long Range  
Narrow 0 - 30°  
3.0 m / -15°  
Symmetrical

